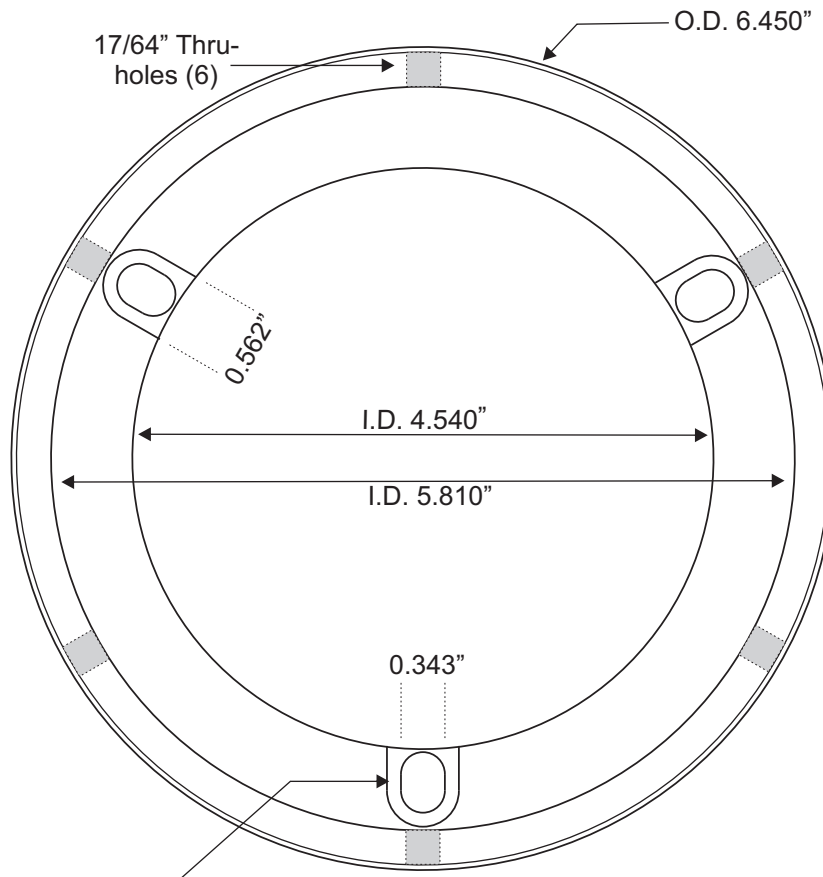


ADATRI Tripod Adapter for 400, 600 & Mach1GTO



3 Slots spaced 120° apart for 5/16" or M8 Socket
Cap Screws on a 5.110" bolt circle.
(Circle can range from a minimum diameter of 4.980"
to a maximum diameter of 5.240".
Equilateral triangle between 4.313" and 4.538" on a side)